

USER'S GUIDE



Have complete model and serial number identification of your washer. This is located on a data plate on the back left of the control panel. Record these numbers below for easy access.

Model Number

Serial Number

Date of Purchase

For additional questions, please contact us:

Maytag Appliances Sales Company
1-800-688-9900 USA
1-800-688-2002 CANADA
1-800-688-2080 USA TTY (for deaf,
hearing impaired or speech impaired)
Mon.-Fri., 8am-8pm Eastern Time
Internet: <http://www.maytag.com>

NOTE: In our continuing effort to improve the quality of our appliances, it may be necessary to make changes to the appliance without revising this guide.

IMPORTANT: Keep this guide and the sales receipt in a safe place for future reference. Proof of original purchase date is needed for warranty service.

IMPORTANT: For service and warranty information, see page 7.

 **SAFETY** Page 1


 **CONTROLS** Pages 2-3

 **OPERATING TIPS** Pages 4-5

 **CARE & CLEANING** Page 5

 **STORING** Page 5

 **BEFORE YOU CALL** Page 6

 **WARRANTY** Page 7

 **GUIDE DE L'UTILISATEUR** Page 8

 **GUÍA DEL USUARIO** Page 16

IMPORTANT SAFETY INSTRUCTIONS

WARNING:

To reduce the risk of fire, explosion, electric shock, property damage or injury to persons when using the appliance, follow basic precautions, including the following:

1. Read all instructions before using the appliance.
2. As with any equipment using electricity and having moving parts, there are potential hazards. To use this appliance safely, the operator should become familiar with the instructions for operation of the appliance and always exercise care when using it.
3. Do not install or store this appliance where it will be exposed to the weather.
4. Install and level washer on a floor that can support the weight.
5. This appliance must be properly grounded. Never plug the appliance cord into a receptacle which is not grounded adequately and in accordance with local and national codes. See installation instructions for grounding this appliance.
6. To avoid the possibility of fire or explosion:
 - a. Do not wash items that have been previously cleaned in, washed in, soaked in, or spotted with gasoline, dry-cleaning solvents, other flammable or explosive substances as they give off vapors that could ignite or explode. Hand wash and line dry any items containing these substances.

Any material on which you have used a cleaning solvent, or which is saturated with flammable liquids or solids, should not be placed in the washer until all traces of these liquids or solids and their fumes have been removed.

These items include acetone, denatured alcohol, gasoline, kerosene, some liquid household cleaners, some spot removers, turpentine, waxes and wax removers.
 - b. Do not add gasoline, dry-cleaning solvents, or other flammable or explosive substances to the wash water. These substances give off vapors that could ignite or explode.
 - c. Under certain conditions, hydrogen gas may be produced in a hot water system that has not been used for 2 weeks or more. **HYDROGEN GAS IS EXPLOSIVE.** If the hot water system has not been used for such a period, before using a washing machine or combination washer-dryer, turn on all hot water faucets and let the water flow from each for several minutes. This will release any accumulated hydrogen gas. As the gas is flammable, do not smoke or use an open flame during this time.
7. Do not reach into the appliance if the tub or agitator is moving.
8. Do not allow children or pets to play on, in, or in front of the appliance. Close supervision is necessary when the appliance is used near children or pets.
9. Do not tamper with controls.
10. Do not repair or replace any part of the appliance or attempt any servicing unless specifically recommended in published user-repair instructions that you understand and have the skills to carry out.
11. Unplug power supply cord before attempting to service your washer.
12. The agitator should not be removed. If the agitator is removed, it must be replaced by pushing down completely and the locking screw tightened before the washer is operated.
13. Store laundry aids and other material in a cool, dry place where children cannot reach them.
14. Do not wash or dry items that are soiled with vegetable or cooking oil. These items may contain some oil after laundering. Due to the remaining oil, the fabric may smoke or catch fire by itself.
15. Do not use chlorine bleach and ammonia or acids (such as vinegar or rust remover) in the same wash. Hazardous fumes can form.
16. Do not machine wash fiberglass materials. Small particles can stick to fabrics washed in following loads and cause skin irritation.
17. Before the appliance is removed from service or discarded, remove the door to the washing compartment.
18. Inlet hoses are subject to damage and deterioration over time. Check the hoses periodically for bulges, kinks, cuts, wear or leaks and replace them every five years.

SAVE THESE INSTRUCTIONS FOR FUTURE REFERENCE

CONTROLS AT A GLANCE

STEP 1 SELECT CYCLE

Press the control dial in and turn in either direction to the desired cycle. Pull the dial out to start the washer.

NOTE: All wash times are approximate.

COLORS is designed to clean colored items as well as dress shirts, dress pants, business casual and poly/cotton to reduce wrinkling.

HEAVY: 21 minutes of wash time.

NORMAL: 15 minutes of wash time.

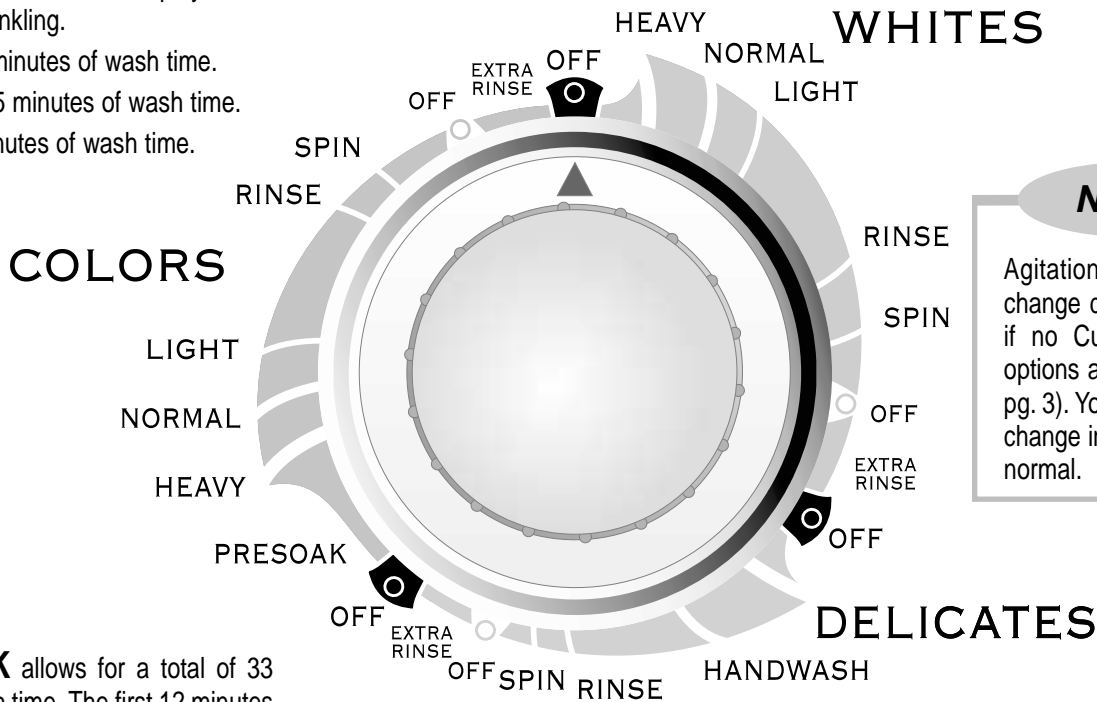
LIGHT: 9 minutes of wash time.

WHITES is designed to clean underwear, T-shirts and other cotton sturdy items like towels, sheets, jeans, etc.

HEAVY: 24-27 minutes of wash time.

NORMAL: 15 minutes of wash time.

LIGHT: 9 minutes of wash time.



NOTE:

Agitation speeds may change during the cycle if no Customize Cycle options are chosen (see pg. 3). You may hear this change in speed. This is normal.

PRESOAK allows for a total of 33 minutes wash time. The first 12 minutes are periods of agitation and soak followed by 21 minutes of agitation. PRE-SOAK automatically advances through the wash cycle.

DELICATES is designed to clean items requiring a gentle wash action, including blouses and dress shirts. There will be 18 minutes of wash and soak cleaning action.

HANDWASH is designed to clean items like nylons or lingerie. There will be 6 minutes of intermittent wash and soak cleaning action.

STEP 2 SELECT WATER LEVEL

Move the infinite slide lever up or down to the desired setting or any point in between. If more water is needed once the fill is complete, move the lever up to **reset** and then to the proper setting.

REMEMBER: Items must circulate freely for best results.



LOAD SIZE

SUPER:	3/4 – Full of clothes
LARGE:	1/2 – 3/4 Full of clothes
MEDIUM:	1/3 – 1/2 Full of clothes
MINI:	1/4 Full of clothes

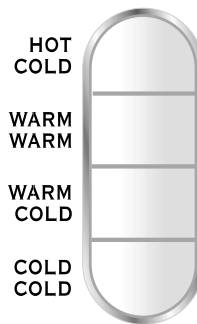
CONTROLS AT A GLANCE CONT.

STEP 3 SELECT WATER TEMPERATURE

Press the appropriate button to select the wash and rinse temperatures. Follow the garment care label for best results. Use the chart at the right as a guide. While the washer is filling, there may be a mixing of hot and cold water to reach the proper water temperature.

REMEMBER: In wash water temperatures below 65° F, detergents do not dissolve well or clean well. Care labels define cold water as up to 85° F.

WASH/RINSE



LOAD TYPE

HOT/COLD – White and heavily soiled, color-fast items

WARM/WARM – Delicate or colorfast items

WARM/COLD – Moderately soiled, colored items; most wrinkle free items

COLD/COLD – Brightly colored, lightly soiled items; washable woolsens

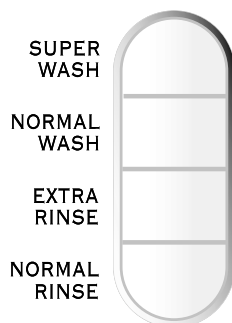
TEMPERATURE

HOT:	120° F
WARM:	85° F
COLD:	Tap water temperature

STEP 4 SELECT A CUSTOMIZED CYCLE

Press the appropriate button(s) to select one or more options.

CUSTOMIZE CYCLE



USE

SUPER WASH – Can be used with any wash cycle to clean very heavily soiled items. Provides fast agitation and normal spin throughout all cycles.

NORMAL WASH – Can be used with all wash cycles to provide normal agitation and normal spin speed. Use for the majority of loads.

EXTRA RINSE – Provides an additional rinse at the end of the cycle to more completely remove laundry additives, suds, perfume, etc.

NORMAL RINSE – Cancels the second deep rinse. Provides one deep rinse.

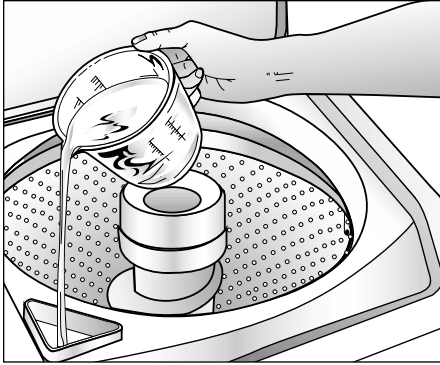
ENERGY SAVING WASH LIGHT – Energy Saving Wash light will illuminate unless Super Wash or Extra Rinse are selected.



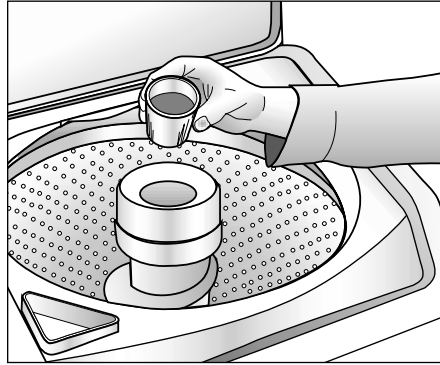
STEP 5 START WASHER

- Add detergent and any additives
- Add load and close lid
- Pull the control dial out to start

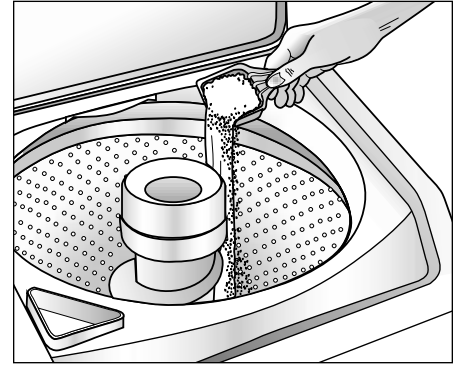
OPERATING TIPS



Pour liquid chlorine bleach into bleach dispenser.



Pour liquid fabric softener into cup and dilute with warm water.



Add detergent before the load.

CHLORINE BLEACH DISPENSER

The dispenser automatically dilutes liquid chlorine bleach before it reaches your wash load. To use, follow these steps:

1. Measure liquid chlorine bleach carefully, following the instructions on the bottle.
2. Add the bleach to the dispenser before adding the load. Avoid splashing or over-filling the dispenser. Wipe up spills.
 - Never pour undiluted liquid chlorine bleach directly onto the load or into the wash tub. It is a powerful chemical and can cause fabric damage, such as tearing or color loss, if not used properly.
 - If you prefer to use color-safe, non-chlorine bleach, pour it into the wash tub with your detergent. Do not pour non-chlorine bleaches into the bleach dispenser.

FABRIC SOFTENER DISPENSER

This dispenser automatically releases liquid fabric softener at the proper time during the cycle. To use, follow these steps:

1. Pour liquid fabric softener into the dispenser using the amount recommended on the package.
2. Add warm water to the dispenser until it reaches the MAX line. Wipe up spills.
 - Do not stop the washer during the first spin. This will cause the dispenser to empty too soon.
 - Never pour fabric softener directly on the load. It will leave spots and stains.
 - Use the dispenser for liquid fabric softeners only. Clean the area in and around the dispenser frequently with hot water, detergent and a soft brush.

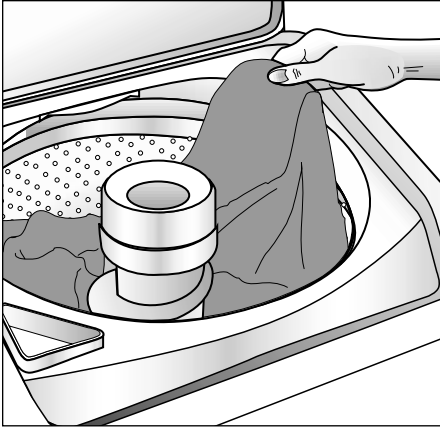
DETERGENT

- Use either liquid or granular laundry detergent. **For best results, be sure detergent is added to the washer BEFORE the load and be sure wash water is above 65° F.**
- Use the correct amount of detergent for the load size, soil level and water conditions. Use more detergent if you have hard water and/or very soiled loads.

If you have soft water or a lightly soiled load, use less detergent. (See manufacturer's instructions.)
- Wipe up any detergent spills on the washer.

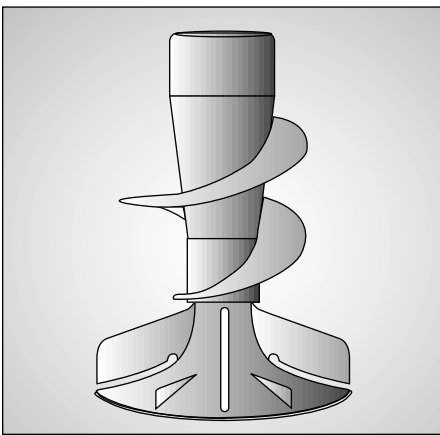
For detailed information on sorting, pretreating stains, etc., see the enclosed Laundry Tips booklet.

OPERATING TIPS CONT.



LOADING

- Put dry, unfolded clothes loosely in the tub. Do not load above the top 2 rows of holes.
- Do not wrap large items like sheets around the agitator.
- Mix large and small items for best circulation. Wash bulky items like blankets separately.
- When laundering wrinkle free items or items of delicate construction, washable woolens or loosely knit items, never use less than the MEDIUM water level setting. This will minimize shrinkage, wrinkling and pulling of seams.
- For best results, add the detergent to washtub before adding the load.
- Close lid carefully to avoid slamming.



LOADSENSOR™ AGITATOR

The LoadSensor™ agitator is specially designed to be sensitive to every load. The spiral fins will move continuously with large, heavy loads. With smaller, more delicate loads, the spiral fins will move intermittently, or with very light loads, not at all. It is normal to notice a difference in the agitator sound from load to load.

CARE AND CLEANING

Turn off the water faucets after finishing the day's washing. This will shut off the water supply to the washer and prevent the unlikely possibility of damage from escaping water.

Use a soft cloth to wipe up all detergent, bleach or other spills as they occur.

Clean the following as recommended:

Control Panel – clean with a soft, damp cloth and glass cleaner. Do not use abrasive powders or cleaning pads.

Cabinet – clean with soap and water.

Interior – hard water deposits may be removed using a recommended hard

water remover/cleaner labeled washer safe. Follow the cleaner manufacturer's directions for use, and make sure the washer is run through a complete cycle to rinse out any remaining cleaning substance.

STORING THE WASHER

Washers can be damaged if water is not removed from hoses and internal components before storage. Prepare the washer for storage as follows:

- Select NORMAL on the WHITES cycle and add one cup of bleach OR white vinegar to a full load of water without

clothes. (Do not mix bleach and vinegar in the same wash. Hazardous fumes can form.) Run the washer through a complete cycle.

- Turn the water faucets off and disconnect the inlet hoses.
- Disconnect the washer from the electrical supply and leave the washer lid open to let air circulate inside the tub.

- If the washer has been stored in below-freezing temperatures, allow time for the washer to thaw out prior to use.
- After storage, select NORMAL on the WHITES cycle and run the washer through a complete cycle.

BEFORE YOU CALL

For problem laundry solutions (i.e. fabric damage, residue, tangling) and special laundry care procedures, see the enclosed Laundry Tips booklet.

CHECK THESE POINTS IF YOUR WASHER...

ALWAYS CHECK FIRST

- Plug cord into live electrical outlet.
- Check fuse or reset circuit breaker.

WON'T FILL

- Turn the control dial to proper cycle and pull dial out to start the washer. If equipped with buttons, be sure they are fully depressed.
- Turn both faucets on fully.
- Straighten inlet hoses.
- Disconnect hoses and clean screens. Hose filter screens may be plugged at the faucet.

WON'T AGITATE

- Make sure the lid is completely closed.
- Turn the control dial to proper cycle and pull dial out to start the washer. If equipped with buttons, be sure they are fully depressed.
- Close lid and pull dial out to start the washer. For your safety, washer will not agitate or spin unless the lid is closed.
- The washer is equipped with a lid switch failure detector. If the lid switch should malfunction, the detector will stop operations for your safety. Call for service.
- Pauses are normal. Wait and see if the washer will start again.

WON'T SPIN OR DRAIN

- Straighten drain hoses. Eliminate kinked hoses. If there is a drain restriction, call for service.
- Close lid and pull dial out to start the washer. For your safety, washer will not agitate or spin unless the lid is closed.
- The washer is equipped with a lid switch failure detector. If the lid switch should malfunction, the detector will stop operations for your safety. Call for service.

- If drain height is five to eight feet, a high-volume pump kit may be necessary. See installation instructions or call 1-800-688-9900. If the drain height is over eight feet, water may not be removed, even with the high volume pump kit.

LOAD IS WETTER THAN NORMAL AT THE END OF THE CYCLE

- The washer is designed to reduce spin speed if an unbalanced load is detected. This is normal.
- Redistribute the load in the tub and set the washer on SPIN.

STOPS

- Turn the control dial to proper cycle and pull dial out to start the washer. If equipped with buttons, be sure they are fully depressed.
- Close lid and pull dial out to start the washer. For your safety, washer will not agitate or spin unless lid is closed.
- This may be a pause or soak period in the cycle. Wait briefly and it may start.
- The washer is equipped with a lid switch failure detector. If the lid switch should malfunction, the detector will stop fill operations for your safety. Call for service.

LEAKS WATER

- Make sure water inlet hose connections are tight at faucet and water valve.
- Make sure end of drain hose is correctly inserted and secured to drain facility.
- Avoid extended soaking – soak for 30 minutes or less.
- Avoid overloading.

IS NOISY

- Be sure washer is leveled properly as outlined in installation manual.
- Weak floors can cause vibration and walking.
- Be sure rubber feet are installed on leveling legs.
- A clicking sound may be the LoadSensor™ agitator as it moves

the load down through the cleaning zone for maximum cleaning effectiveness. This sound will vary from load to load. This is normal.

- Operating sounds will vary depending on agitation speed.

FILLS WITH THE WRONG TEMPERATURE WATER

- Turn both faucets on fully.
- Make sure temperature selection is correct.
- To obtain energy savings, warm water fills are lukewarm.
- While the washer is filling there may be a mixing of hot and cold water to reach the proper water temperature.
- Make sure hoses are connected to correct faucets and inlet connections. Be sure water supply is regulated correctly. Flush water line before filling washer.
- Check the water heater. It should be set to deliver a minimum 120° F (49° C) hot water at the tap. Also check water heater capacity and recovery rate.
- Disconnect hoses and clean screens. Hose filter screens may be plugged.

CYCLE SELECTOR DIAL ADVANCES THROUGH "OFF"

- Extra Rinse is selected.

For further assistance contact Maytag Appliances Sales Company, Maytag Customer Assistance:
U.S. 1-800-688-9900 or
Canada 1-800-688-2002

U.S. customers using TTY for deaf, hearing impaired or speech impaired, call 1-800-688-2080.

MAYTAG WASHER WARRANTY

Full One Year Warranty

For one (1) year from the date of original retail purchase, any part which fails in normal home use will be repaired or replaced free of charge.

Limited Warranty

After the first year from date of original retail purchase, through the time periods listed below, the parts designated below which fail in normal home use will be repaired or replaced free of charge for the part itself, with the owner paying all other costs, including labor, mileage and transportation.

Second Year – All parts.

Third through Fifth Year – The drive motor. All parts of the solid state controls (if so equipped).

Third through Tenth Year – All parts of the transmission assembly.

Third through Lifetime – The inner wash basket.

Additional Limited Warranty Against Rust-Through

Should an exterior cabinet, including the top, lid and baseframe, rust through during the one-year period starting from the date of retail purchase, repair or replacement will be made free of charge. After the first and through the tenth year, repair or replacement will be made free of charge for the part itself, with the owner paying all other costs, including labor, mileage and transportation.

Please Note: This full warranty and the limited warranty apply when the washer is located in the United States or Canada. Washers located elsewhere are covered by the limited warranty only, including parts which fail during the first two years.

Canadian Residents

This warranty covers only those appliances installed in Canada that have been listed with the Canadian Standards Association unless the appliances are brought into Canada due to transfer of residence from the United States to Canada.

The specific warranties expressed above are the ONLY warranties provided by the manufacturer. This warranty gives you specific legal rights, and you may also have other rights that vary from state to state.

TO RECEIVE WARRANTY SERVICE

To locate an authorized service company in your area, contact the Maytag dealer from whom your appliance was purchased; or call Maytag Appliances Sales Company, Maytag Customer Assistance at the number listed below. Should you not receive satisfactory warranty service, please call or write:

Maytag Appliances Sales Company
Attn: CAIR® Center
P.O. Box 2370
Cleveland, TN 37320-2370

U.S. 1-800-688-9900

Canada 1-800-688-2002

U.S. customers using TTY for deaf, hearing impaired or speech impaired, call 1-800-688-2080.

When contacting Maytag Appliances Sales Company, Maytag Customer Assistance about a service problem, please include the following:

- a. Your name, address and telephone number;
- b. Model number and serial number (found on the back left of the control panel) of your appliance;
- c. Name and address of your dealer and the date the appliance was purchased;
- d. A clear description of the problem you are having.
- e. Proof of purchase.

WHAT IS NOT COVERED BY THESE WARRANTIES:

1. Conditions and damages resulting from any of the following:
 - a. Improper installation, delivery or maintenance.
 - b. Any repair, modification, alteration or adjustment not authorized by the manufacturer or an authorized servicer.
 - c. Misuse, abuse, accidents or unreasonable use.
 - d. Incorrect electric current, voltage or supply.
 - e. Improper setting of any control.
2. Warranties are void if the original serial numbers have been removed, altered, or cannot be readily determined.
3. Products purchased for commercial or industrial use.
4. The cost of service or service call to:
 - a. Correct installation errors.
 - b. Instruct the user on proper use of the product.
 - c. Transport the appliance to the servicer.
5. Consequential or incidental damages sustained by any person as a result of any breach of these warranties.

Some states do not allow the exclusion or limitation of consequential or incidental damages, so the above exclusion may not apply.

User's Guides, service manuals and parts catalogs are available from Maytag Appliances Sales Company, Maytag Customer Assistance.

GUIDE DE L'UTILISATEUR



Conservez les numéros de modèle et de série complets de votre machine à laver. Ceux-ci sont indiqués sur une plaque signalétique située sur le bord gauche arrière du tableau de commande. Veuillez noter ces numéros pour les avoir à portée de main.

Numéro de modèle

Numéro de série

La date d'origine

Si vous avez des questions, veuillez nous écrire ou appelez-nous :

Maytag Appliances Sales Company
1-800-688-9900 USA
1-800-688-2002 CANADA
1-800-688-2080 USA TTY (Du lundi au
vendredi, 8 h à 8 h, heure de l'est)
Mon.–Fri., 8am–8pm Eastern Time
Internet: <http://www.maytag.com>

REMARQUE: En raison de nos efforts constants d'amélioration de la qualité de nos appareils électro-ménagers, il se peut qu'une machine à laver soit modifiée sans que le guide soit révisé.

IMPORTANT: Conservez ce guide et le coupon de caisse dans un endroit sûr pour référence ultérieure. Une preuve de l'achat d'origine est exigée pour toutes prestations de garantie.

IMPORTANT: Pour tous renseignements relatifs au service après-vente et à la garantie, veuillez vous référer au page 15.

 **MESURES DE SÉCURITÉ** Page 9

 **COMMANDES EN BREF** Pages 10-11

 **CONSEILS DE FONCTIONNEMENT** Pages 12-13

 **ENTRETIEN** page 13

 **REMISAGE DE LA MACHINE** Page 13

 **AVANT D'APPELER LE SERVICE DE DÉPANNAGE** Page 14

 **GARANTIE** Page 15

 **GUÍA DEL USUARIO** Page 16

MESURES DE SÉCURITÉ IMPORTANTES

ATTENTION:

Pour réduire les risques d'incendie, d'explosion, d'électrocution, de dégâts ou de blessures lors de l'utilisation de cet appareil, suivre les précautions d'usage, notamment les suivantes :

1. Lire toutes les instructions avant d'utiliser la machine.
2. Comme avec tout équipement fonctionnant à l'électricité et comportant des pièces mobiles, il existe toujours des possibilités de danger. Pour utiliser cette machine dans les meilleures conditions de sécurité, l'opérateur doit se familiariser avec les instructions de fonctionnement de l'appareil et user de prudence pendant son utilisation.
3. Ne pas installer ni remiser la machine dans un endroit où elle est exposée aux intempéries.
4. Installer la machine et la mettre de niveau sur un plancher pouvant supporter son poids.
5. Cet appareil doit être correctement mis à la terre. Ne jamais brancher le câble électrique d'une machine à laver sur une prise murale non mise à la terre conformément aux codes locaux et nationaux. Voir les instructions d'installation pour la mise à la terre de cette machine.
6. Pour éviter les risques d'incendie ou d'explosion :
 - a. Ne pas laver d'articles qui ont auparavant été nettoyés ou lavés à l'aide d'essence, de solvants de nettoyage à sec ou d'autres produits explosifs ou inflammables, ou qui en sont imbibés ou éclaboussés, car ces substances produisent des vapeurs qui peuvent s'enflammer ou exploser. Laver à la main et sécher à l'air tout article contenant ces substances.
 - b. Ne pas ajouter d'essence, de solvants de nettoyage à sec ou toute autre substance inflammable ou explosive à l'eau de lavage. Ces substances produisent des vapeurs qui pourraient s'enflammer ou exploser.
 - c. Dans certaines conditions, il peut y avoir production d'hydrogène dans un système de chauffage d'eau qui n'est pas utilisé pendant 2 semaines ou plus. L'HYDROGÈNE EST UN EXPLOSIF. Si votre système de chauffage d'eau n'est pas utilisé sur une telle durée, ouvrir tous les robinets d'eau chaude et laisser couler l'eau pendant plusieurs minutes avant d'utiliser votre machine à laver ou votre ensemble machine à laver-sécheuse. Ceci élimine toute accumulation d'hydrogène. Ce gaz étant inflammable, ne pas fumer ni utiliser de flamme vive pendant ces quelques minutes.
7. Ne pas mettre la main ou le bras dans la machine si l'agitateur ou la cuve est en mouvement.
8. Ne pas permettre aux enfants ou aux animaux familiers de jouer sur l'appareil, à l'intérieur ou en face de celui-ci. Une supervision étroite est nécessaire lorsque l'appareil est utilisé à proximité d'enfants ou d'animaux familiers.
9. Ne pas modifier les mécanismes de commande.
10. Ne pas réparer ou remplacer une pièce de la machine ou procéder à un dépannage, sauf si les instructions publiées le recommandent et que la personne effectuant la réparation les comprend et possède les connaissances voulues pour les exécuter.
11. Débrancher la machine de la prise de courant avant toute réparation.
12. L'agitateur ne doit pas être retiré. S'il est retiré, le replacer en l'enfonçant à fond, puis serrer la vis de blocage avant de faire fonctionner la machine.
13. Mettre les produits pour la lessive et autres substances dans un endroit frais et sec où les enfants n'ont pas accès.
14. Ne pas laver ni sécher des articles imprégnés d'huile végétale ou de cuisson. Il pourrait y rester de l'huile après lavage, et ils pourraient fumer ou s'enflammer.
15. Ne pas mélanger de javellisant et d'ammoniaque ou d'acides (tels que du vinaigre ou du produit pour enlever la rouille) pour une même charge de linge. Des vapeurs nocives peuvent se former.
16. Ne pas laver d'articles en fibre de verre à la machine. De petites particules peuvent se coller sur le linge lavé par la suite et provoquer des irritations cutanées.
17. Avant de mettre la machine hors service ou au rebut, retirer la porte du compartiment de lavage.
18. Les tuyaux d'alimentation se détériorent progressivement. Inspecter les tuyaux à intervalle régulier; rechercher dilatations, écrasements, coupures, fuites et indices d'usure. Remplacer les tuyaux après 5 ans de service.

CONSERVER CES INSTRUCTIONS

COMMANDES EN BREF

ÉTAPE 1 SÉLECTIONNER LE CYCLE

Appuyer sur le sélecteur et le tourner dans un sens ou dans l'autre pour obtenir le cycle voulu. Le tirer pour mettre la laveuse en marche.

Remarque: Toutes les durées de lavage sont approximatives.

COLORS (couleurs) convient aux articles de couleurs ainsi qu'aux chemises habillées, aux pantalons habillés, aux vêtements sport et au polyester et coton pour qu'ils se froissent moins.

HEAVY (linge très sale) : 21 minutes de lavage.

NORMAL (linge normalement sale) : 15 minutes de lavage.

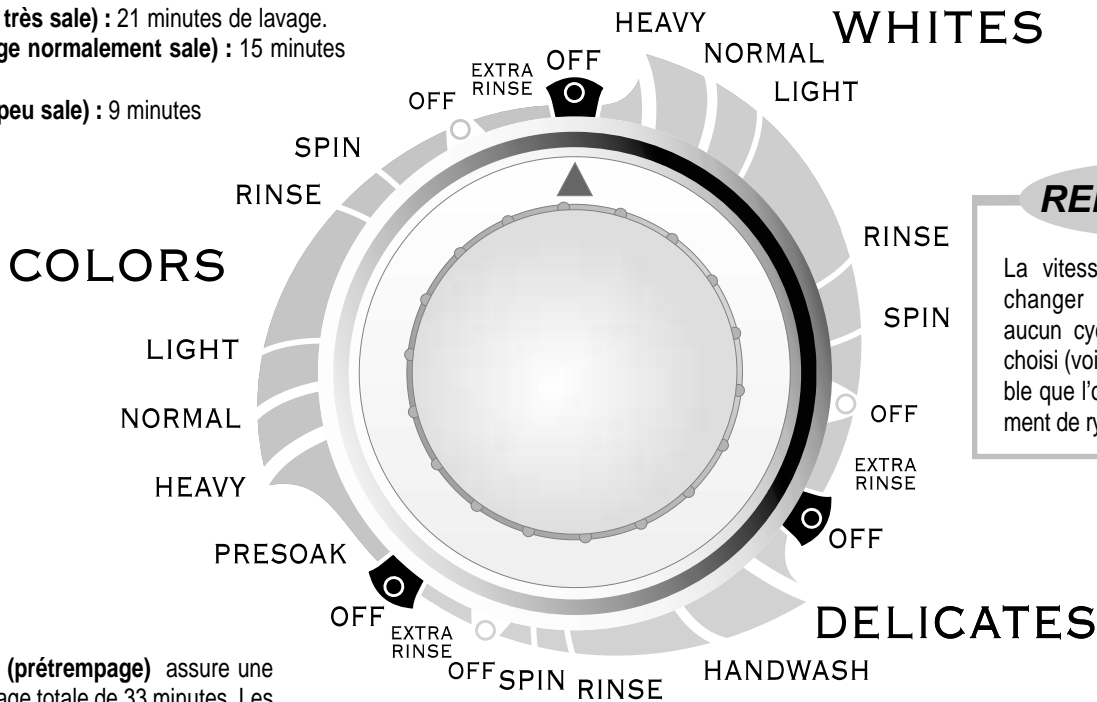
LIGHT (linge peu sale) : 9 minutes de lavage.

WHITES (blanc) convient aux sous-vêtements, T-shirts et autres articles en gros coton tels que serviettes de toilette, draps, blue jeans, etc.

HEAVY (linge très sale) : 24-27 minutes de lavage.

NORMAL (linge normalement sale) : 15 minutes de lavage.

LIGHT (linge peu sale) : 9 minutes de lavage.



REMARQUE:

La vitesse de l'agitation peut changer pendant le cycle si aucun cycle personnalisé n'est choisi (voir page 11). Il est possible que l'on entende ce changement de rythme. Ceci est normal.

PRESOAK (prétrempage) assure une période de lavage totale de 33 minutes. Les premières 12 minutes se composent de périodes d'agitation et de trempage suivies de 21 minutes d'agitation. Le trempage est automatiquement suivi d'un cycle de lavage.

DELICATES (linge fragile) convient aux articles qui exigent une agitation douce. Ceci inclut les corsages et les chemises habillées. La période de lavage et de trempage est de 18 minutes.

HANDWASH (lavage manuel) convient aux bas et à la lingerie. Il y aura 6 minutes de lavage et de trempage intermittents.

ÉTAPE 2 SÉLECTIONNER LE NIVEAU D'EAU

Il suffit de lever ou d'abaisser le sélecteur coulissant à réglage infini sur le niveau désiré. Pour ajouter de l'eau à la fin du remplissage, régler le sélecteur sur la position «reset» (nouveau réglage), puis le positionner en face du réglage désiré.

NE PAS OUBLIER : Pour des résultats optimaux, les articles doivent pouvoir circuler librement.



VOLUME DU LINGE

SUPER: (super)	Linge 3/4 de la cuve
LARGE: (gros)	Linge 1/2 – 3/4 de la cuve
MEDIUM: (moyen)	Linge 1/3 – 1/2 de la cuve
MINI: (en miniature)	Linge 1/4 de la cuve

COMMANDES EN BREF SUITE

ÉTAPE 3 SÉLECTIONNER LA TEMPÉRATURE

Appuyer sur la touche qui convient pour sélectionner les températures de lavage et rinçage désirées. Pour des résultats optimums, suivre les indications de l'étiquette du vêtement. Vous guider sur le tableau de droite. Lors du remplissage en eau de la machine, il peut y avoir un mélange d'eau chaude et d'eau froide, qui permet d'obtenir une eau à la température appropriée.

REMARQUE: Si la température de lavage est inférieure à 18 °C (65 °F), le détergent ne dissout ni ne nettoie correctement. Les étiquettes d'entretien définissent une eau froide comme étant à 29,5 °C (85 °F).

WASH/RINSE



TYPE DE LINGE

HOT/COLD (chaude/froid) – Blanc et couleurs très sales

WARM/WARM (tiède/tiède) – Articles fragiles ou en tissu bon teint

WARM/COLD (tiède/froid) – Articles modérément sales, couleurs ; la plupart des tissus infroissables

COLD/COLD (froid/froid) – Articles peu sales de couleur vive ; lainages lavables

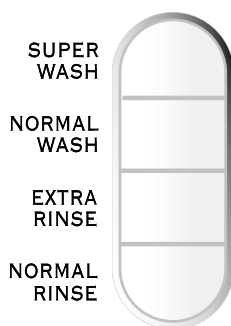
TEMPÉRATURE

HOT: (chaude)	120 °F (50 °C)
WARM: (tiède)	85 °F (30 °C)
COLD: (froide)	Température de l'eau du robinet

ÉTAPE 4 SÉLECTIONNER UN CYCLE PERSONNALISÉ

Appuyer sur la touche qui convient pour sélectionner le cycle personnalisé désiré.

CUSTOMIZE CYCLE



USAGE

SUPER WASH (lavage extra) – Peut s'utiliser avec n'importe quel cycle de lavage pour nettoyer du linge très sale. Fournit une agitation rapide et un essorage normal pendant tous les cycles.

NORMAL WASH (lavage normal) – Peut s'utiliser avec tous les cycles de lavage. Fournit une agitation normale et un essorage normal. S'utilise pour la majorité des lessives.

EXTRA RINSE (rinçage supplémentaire) – Un rinçage supplémentaire est ajouté à la fin du cycle afin d'enlever plus complètement les additifs pour lessive, la mousse, le parfum, etc.

NORMAL RINSE (rinçage normal) – Annule le deuxième rinçage profond. Fournit seulement un rinçage profond.

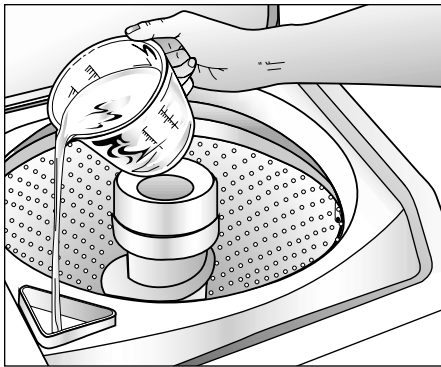
ENERGY SAVING WASH LIGHT (témoin lumineux économies d'énergie) – S'allume sauf lors du lavage extra ou du rinçage supplémentaire.



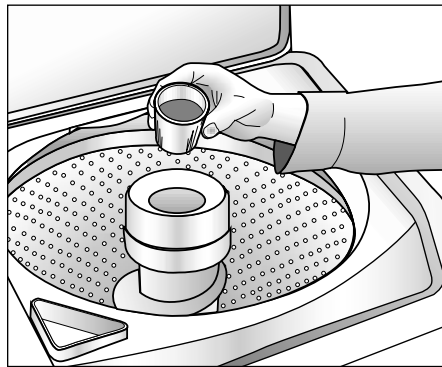
ÉTAPE 5 METTRE LA MACHINE EN MARCHÉ

- Pour mettre du détergent et des additifs
- Mettre le linge et fermer le couvercle
- Tirer sur le sélecteur pour mettre la machine en marche

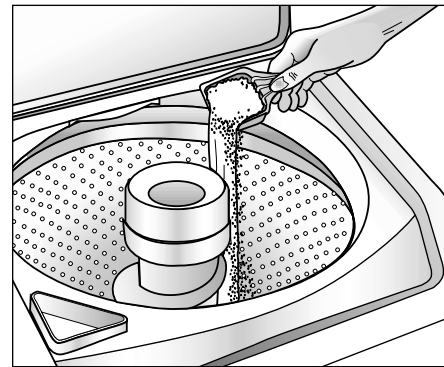
CONSEILS DE FONCTIONNEMENT



Verser le javellisant liquide dans le distributeur de javellisant.



Verser l'assouplissant liquide dans le godet et diluer avec de l'eau tiède.



Veiller à toujours ajouter le détergent avant le linge.

DISTRIBUTEUR DE JAVELLISANT

Le distributeur dilue automatiquement le javellisant liquide avant de l'ajouter au linge. Pour l'utiliser, procéder comme suit :

1. Mesurer soigneusement le javellisant liquide en suivant le mode d'emploi indiqué sur la bouteille.
 2. Mettre le javellisant dans le distributeur avant de mettre le linge dans la machine. Éviter d'éclabousser ou de trop remplir le distributeur. Essuyer les éclaboussures.
- Ne jamais verser de javellisant liquide non dilué directement sur le linge ou dans la cuve. C'est un produit chimique puissant capable d'abîmer les tissus (déchirures, perte de couleur, par exemple) s'il n'est pas utilisé correctement.
 - Si un agent de blanchiment sans chlore sans danger pour les couleurs est utilisé, le verser dans la cuve avec le détergent. Ne pas verser d'agent de blanchiment sans chlore dans le distributeur de javellisant.

DISTRIBUTEUR D'ASSOUPLEISSANT

Ce distributeur ajoute l'assouplissant liquide au moment voulu du cycle. Pour l'utiliser, procéder comme suit :

1. Verser l'assouplissant liquide dans le distributeur en utilisant la quantité recommandée sur l'emballage.
 2. Mettre de l'eau tiède dans le distributeur jusqu'à ce qu'elle atteigne le repère indiqué «MAX». Essuyer les éclaboussures.
- Ne pas arrêter la machine durant le premier essorage. Le distributeur se viderait trop tôt.
 - Ne jamais verser d'assouplissant directement sur le linge. Il laisserait des traînées et des taches.
 - Utiliser le distributeur pour l'assouplissant liquide uniquement. Nettoyer fréquemment le distributeur et son pourtour à l'aide d'une brosse et d'eau très chaude additionnée de détergent.

DÉTERTENT

- Utiliser du détergent liquide ou en poudre. **Pour des résultats optimaux, veiller à toujours ajouter le détergent AVANT le linge et à ce que l'eau soit d'une température supérieure à 18 °C (65 °F).**
 - Utiliser la quantité de détergent qui convient pour la charge, le niveau de saleté et le type d'eau. Si l'eau est dure et/ou que le linge est très sale, utiliser davantage de détergent.
- Si l'eau est douce ou le linge peu sale, utiliser moins de détergent. (Voir le mode d'emploi du détergent.)
- Essuyer tout détergent qui pourrait s'être répandu sur la machine à laver.

Pour des renseignements détaillés sur le triage, le prétraitement des taches, etc., voir le livret «Conseils de blanchissage» inclus avec la machine à laver.

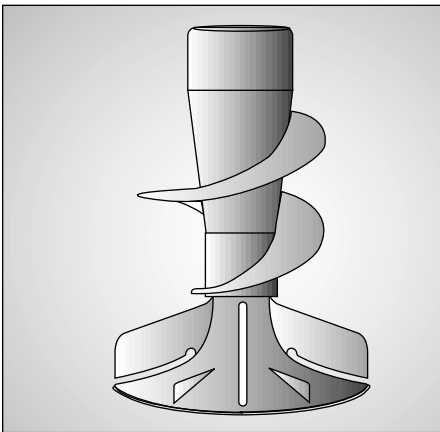
CONSEILS DE FONCTIONNEMENT SUITE



CHARGEMENT

- Disposer le linge sec non plié dans la cuve. Ne pas la charger au-dessus des deux rangées de trous supérieures.
- Ne pas enrouler des articles de grandes dimensions comme les draps autour de l'agitateur.
- Pour une meilleure circulation du linge, mélanger les petits articles et les articles de plus grandes dimensions. Laver les articles volumineux comme les couvertures séparément.

- Lors du lavage d'articles infroissables, fragiles, de lainages lavables ou d'articles en tricot à mailles lâches, ne jamais utiliser un niveau d'eau inférieur au réglage MEDIUM (moyen). Ils auront moins tendance à rétrécir, à se froisser et les coutures tiendront mieux.
- Pour des résultats optimaux, mettre du détergent dans la cuve avant d'ajouter le linge.
- Refermer soigneusement le couvercle pour qu'il ne claque pas.



AGITATEUR LOADSENSOR™

L'agitateur LoadSensor™ détecte les caractéristiques de chaque charge de linge. Les pales en spirale sont constamment en mouvement en présence d'articles lourds ou de grande taille. En présence de linge plus délicat ou de plus petite taille le mouvement des pales en spirale est intermittent, et pour une très petite charge il n'y a aucun mouvement des pales en spirale. Il est normal que le son émis par l'agitateur soit différent d'une charge à une autre.

ENTRETIEN

Couper l'arrivée d'eau en fermant les robinets, une fois la lessive terminée pour la journée, pour éviter toute possibilité de dégâts dus à une fuite d'eau, aussi improbable soit-elle.

Utiliser un linge doux pour essuyer tout détergent, javellisant ou autre dès qu'il se trouve répandu ou éclaboussé sur la machine.

Nettoyer les éléments suivants tel qu'indiqué :

Tableau de commande : Nettoyer avec un linge doux et humide et du nettoyeur pour vitres. Ne pas utiliser de poudres abrasives ni de tampons nettoyants.

Carrosserie : Nettoyer au savon et à l'eau.

Intérieur : Les dépôts laissés par l'ordure

peuvent s'enlever à l'aide d'un produit de détartrage/nettoyage recommandé, portant la mention sans danger pour laveuse. Suivre le mode d'emploi du fabricant du produit et s'assurer de faire faire un cycle complet à la laveuse pour éliminer par rinçage tout résidu du produit de nettoyage.

REMISAGE DE LA MACHINE À LAYER

La machine risque d'être endommagée si l'eau qui se trouve à l'intérieur ainsi que dans les boyaux n'est pas évacuée avant de la remiser. Voici la marche à suivre pour préparer le remisage de la machine :

- Sélectionner NORMAL avec un cycle WHITES (blanc) et ajouter une tasse de javellisant OU de vinaigre blanc par charge complète d'eau, sans ajouter de linge. (Ne pas mélanger de javellisant et de vinaigre pour une même charge de linge. Des vapeurs nocives peuvent se former.) Faire fonctionner la machine à laver pendant un cycle complet.
- Fermer les robinets d'eau et détacher les tuyaux d'arrivée.
- Débrancher la machine et laisser le couvercle ouvert pour que l'air circule dans la cuve.
- Si la laveuse a été rangée à des températures en dessous du gel, laisser la laveuse revenir à une température ambiante avant de l'utiliser.
- Après le rangement, sélectionner NORMAL pour le cycle WHITES (blanc) et faire fonctionner la machine pendant un cycle complet.

AVANT D'APPELER LE SERVICE DE DÉPANNAGE

Pour des solutions aux problèmes de lessive (tissus abîmés, résidus, linge emmêlé, par exemple) et des méthodes spéciales d'entretien du linge, voir le livret «Conseils de blanchissage» inclus.

VÉRIFIER CES POINTS SI LA MACHINE...

TOUJOURS VÉRIFIER EN PREMIER LIEU

- Brancher la machine sur une prise murale sous tension.
- Vérifier le fusible ou réenclencher le disjoncteur.

NE SE REMPLIT PAS

- Mettre le sélecteur sur le cycle voulu et tirer dessus pour le mettre en position de marche. Si la machine est dotée de touches, s'assurer qu'elles sont poussées à fond.
- Ouvrir les deux robinets à fond.
- Redresser les boyaux d'arrivée.
- Débrancher les tuyaux et nettoyer les filtres. Les filtres des tuyaux peuvent être bouchés au niveau des robinets.

NE PRODUIT PAS D'AGITATION

- S'assurer que le couvercle est bien fermé.
- Mettre le sélecteur sur le cycle voulu et tirer dessus pour le mettre en position de marche. Si la machine est dotée de touches, s'assurer qu'elles sont poussées à fond.
- Fermer le couvercle et tirer sur le sélecteur. Pour des raisons de sécurité, l'agitation et l'essorage ne fonctionnent pas si le couvercle est ouvert.
- La machine est dotée d'un détecteur de panne de l'interrupteur du couvercle. Si l'interrupteur ne fonctionne plus, le détecteur arrête la machine pour votre sécurité. Appeler le service après-vente.
- Les pauses sont normales. Attendre pour voir si la machine à laver va se remettre en marche.

N'ESORE PAS, NE SE VIDANGE PAS

- Redresser les boyaux. Éliminer les boyaux ne pouvant plus être redressés. Si l'évacuation est bouchée, appeler le service après-vente.
- Fermer le couvercle et tirer sur le sélecteur. Pour des raisons de sécurité, l'agitation et l'essorage ne fonctionnent pas si le couvercle est ouvert.
- La machine est dotée d'un détecteur de panne de l'interrupteur du couvercle. Si l'interrupteur ne fonctionne plus, le détecteur arrête la machine pour votre sécurité. Appeler le service après-vente.
- Si la hauteur d'évacuation de l'eau se situe entre 1,5 mètres (5 pieds) et 2,4 mètres (8

pieds), il peut être nécessaire d'utiliser un ensemble de pompe à haut débit. Voir les instructions d'installation ou appeler le 1-800-688-2002. Si la hauteur d'évacuation de l'eau dépasse 2,4 mètres (8 pieds), l'eau ne peut pas être évacuée, même à l'aide d'un ensemble de pompe à haut débit.

LINGE PLUS MOUILLÉ QU'À L'HABITUDE À LA FIN DU CYCLE DE LAVAGE

- La machine réduit la vitesse d'essorage en présence d'une charge non uniformément répartie. Ceci est normal.
- Mieux répartir la charge dans la cuve et sélectionner de nouveau SPIN (Essorage).

S'ARRÊTE

- Mettre le sélecteur sur le cycle voulu et tirer dessus pour le mettre en position de marche. Si la machine est dotée de touches, s'assurer qu'elles sont poussées à fond.
- Fermer le couvercle et tirer sur le sélecteur. Pour des raisons de sécurité, l'agitation et l'essorage ne fonctionnent pas si le couvercle est ouvert.
- C'est peut-être simplement une pause ou une phase de trempage du cycle de lavage. Attendre quelques minutes ; il est possible que la machine se remette en marche.
- La machine est dotée d'un détecteur de panne de l'interrupteur du couvercle. Si l'interrupteur ne fonctionne plus, le détecteur arrête la machine pour votre sécurité. Appeler le service après-vente.

FUIT

- S'assurer que les connexions de tuyau d'arrivée d'eau sont bien serrées au niveau des robinets.
- S'assurer que l'extrémité du boyau d'évacuation est insérée correctement et bien fixée sur le système d'évacuation.
- Trempage prolongé ; faire tremper 30 minutes maximum.
- Éviter de trop mettre de linge.

EST BRUYANTE

- Vérifier que la machine a été mise de niveau tel qu'indiqué dans le manuel de mise en service.
- Les planchers peu solides peuvent produire des vibrations et le déplacement de la machine.
- S'assurer que les pieds réglables sont équipés d'embouts en caoutchouc.

- Son de dé clic - Peut être émis par le détecteur LoadSensor™ de l'agitateur lorsqu'il fait circuler le linge à travers les diverses zones pour maximiser l'efficacité du nettoyage. C'est un son normal, qui varie d'une charge à une autre.
- Des bruits de fonctionnement varient selon la vitesse de l'agitation.

SE REMPLIT D'EAU À UNE TEMPÉRATURE INCORRECTE

- Ouvrir les deux robinets à fond.
- Pour obtenir des économies d'énergie, l'eau tiède est à peine tiède.
- S'assurer que la température sélectionnée est la bonne.
- Lors du remplissage en eau de la machine, il peut y avoir un mélange d'eau chaude et d'eau froide, qui permet d'obtenir une eau à la température appropriée.
- S'assurer que les boyaux sont raccordés aux robinets et raccords d'arrivée d'eau voulus. S'assurer que l'alimentation en eau est correctement réglée. Faire passer de l'eau sous forte pression dans les conduites avant de remplir la machine à laver.
- Vérifier le chauffe-eau. Il doit être réglé pour assurer une eau chaude à 49° C (120° F) au robinet. Également vérifier la capacité du chauffe-eau et sa rapidité de chauffage une fois qu'il a été vidé.
- Déconnecter les boyaux et nettoyer les filtres. Les filtres des boyaux pourraient être bouchés.

LE SÉLECTEUR PASSE AUTOMATIQUÉMENT À UN RÉGLAGE AUDELÀ DE «OFF» (ARRÊT)

- Un EXTRA RINSE (rinçage supplémentaire) a été sélectionné.

Pour toute assistance technique, communiquer avec Maytag Appliances Sales Company,

Service-clients Maytag :
au Canada : 1-800-688-2002

GARANTIE DE LA MACHINE À LAYER AUTOMATIQUE

Garantie totale d'un an

Pendant un (1) an à partir de la date de l'achat d'origine, toute pièce qui vient à être défectueuse dans des conditions normales d'utilisation ménagère sera réparée ou remplacée gratuitement.

Garantie limitée

Après la première année suivant la date de l'achat d'origine et pendant les périodes de temps énumérées ci-dessous, les pièces indiquées ci-après qui viennent à être défectueuses dans des conditions normales d'utilisation ménagère seront réparées ou remplacées gratuitement en ce qui concerne la pièce elle-même, le client prenant à sa charge les autres frais, y compris les frais de main-d'oeuvre, de déplacement et de transport.

Deuxième année : Toutes les pièces.

De la troisième à la cinquième année : Le moteur. Toutes les commandes à circuits intégrés (si la machine en est équipée).

De la troisième à la dixième année : Toutes les pièces de l'ensemble de transmission.

De la troisième année et à vie : panier intérieur.

Garantie limitée supplémentaire contre la rouille à coeur

Si la carrosserie extérieure, dessus et socle compris, rouille à coeur au cours de la première année suivant la date de l'achat d'origine, elle sera réparée ou remplacée gratuitement. Après la première année et jusqu'à la fin de la dixième année, elle sera réparée ou remplacée gratuitement en ce qui concerne la pièce elle-même, tous autres frais, y compris ceux de main-d'oeuvre, de déplacement et de transport, étant à la charge du client.

À noter : Cette garantie totale et la garantie limitée s'appliquent quand la machine se trouve aux États-Unis ou au Canada. Si elle se trouve dans une autre partie du monde, elle n'est couverte que par la garantie limitée, y compris en ce qui concerne les pièces se révélant défectueuses au cours de la première deux années.

Résidents canadiens

Cette garantie ne couvre que les appareils électroménagers mis en service au Canada et homologués par des organismes de vérification appropriés ou certifiés conformes aux directives de l'Association canadienne de normalisation, sauf en ce qui concerne les appareils transférés au Canada à la suite d'un changement de résidence à partir des États-Unis.

Les garanties spécifiques ci-dessus sont les SEULES garanties accordées par le fabricant. Cette garantie vous donne des droits juridiques spécifiques et vous pouvez également bénéficier d'autres droits qui varient d'une province à l'autre.

POUR OBTENIR LES PRESTATIONS DE GARANTIE

Pour localiser une entreprise de service après-vente agréée Maytag dans votre région, contacter le concessionnaire MAYTAG où la machine a été achetée ou appeler Maytag Appliances Sales Company le service-clients Maytag. Si les prestations de garantie obtenues ne vous donnent pas satisfaction, contacter ce service par courrier ou par téléphone:

Maytag Appliances Sales Company
Attn: CAIR® Center
P.O. Box 2370
Cleveland, TN 37320 États-Unis
U.S. 1-800-688-9900

Canada 1-800-688-2002

Quand vous écrivez au sujet d'un problème non résolu, veuillez inclure les renseignements suivants :

- a. Vos nom, adresse et numéro de téléphone ;
- b. Numéro de modèle et numéro de série (se trouvent sur la partie arrière gauche du tableau de commande) de l'appareil;
- c. Les nom et adresse du concessionnaire ainsi que la date d'achat de l'appareil ;
- d. Une description claire du problème rencontré ;
- e. Date de la preuve d'achat (bon de caisse).

NE SONT PAS COUVERTS PAR CES DEUX GARANTIES :

1. Les problèmes et dommages résultant des situations suivantes :
 - a. Installation, livraison ou entretien défectueux.
 - b. Toute réparation, modification, altération ou ajustement non autorisé par le fabricant ou un prestataire de service après-vente agréé.
 - c. Usage inapproprié, abusif, déraisonnable ou accidents.
 - d. Alimentation électrique ou tension incorrectes.
 - e. Réglage inapproprié de toute commande.
2. Les garanties sont annulées si les numéros de série d'origine ont été enlevés, modifiés ou ne peuvent être déterminés facilement.
3. Appareils achetés à des fins commerciales ou industrielles.
4. Les frais de dépannage ou de visite pour :
 - a. Corriger des erreurs d'installation.
 - b. Enseigner au consommateur comment utiliser son appareil correctement.
 - c. Assurer le transport de l'appareil jusqu'à l'entreprise de service après-vente.
5. Dommages indirects ou accessoires supportés par toute personne à la suite d'une quelconque violation de garantie.

Certain états ne permettent pas l'exclusion ou la limitation de responsabilité en ce qui concerne les dommages indirects, et l'exclusion ci-dessus peut ne pas s'appliquer à votre cas.

Guide de l'utilisateur, manuels de dépannage et catalogues de pièces détachées sont disponibles auprès Maytag Appliances Sales Company, du service-clients Maytag.

GUÍA DEL USUARIO



Tenga el número completo del modelo y de serie de su lavadora. Se encuentran en una placa de datos en el borde trasero izquierdo del panel de control. Anote estos números a continuación para su fácil acceso.

Número de Modelo

Número de Serie

Date d'achat

Si tiene preguntas, escríbanos, o llame al teléfono que se indica a continuación:

Maytag Appliances Sales Company
1-800-688-9900 EE.UU.
1-800-688-2002 CANADÁ
(De lunes a viernes, de las 8 a.m. a las 8 p.m. hora del Este)
Internet: <http://www.maytag.com>

NOTA: En nuestro esfuerzo continuo para mejorar la calidad de nuestros aparatos, puede ser necesario hacer cambios a la secadora sin corregir esta guía.

IMPORTANTE: Mantenga esta guía y el recibo de venta en un lugar seguro para referencia futura. Se requiere prueba de la compra original para recibir servicio bajo la garantía.

IMPORTANTE: Para recibir servicio y obtener información sobre la garantía, vea la última página.

 **INSTRUCCIONES DE SEGURIDAD**Página 17


 **LOS CONTROLES A SIMPLE VISTA** Páginas 18-19

 **SUGERENCIAS PARA LA OPERACIÓN** Páginas 20-21

 **CUIDADO Y LIMPIEZA**Página 21

 **ALMACENAMIENTO DE LA LAVADORA** Página 21

 **ANTES DE LLAMAR**Página 22

 **GARANTÍA**Página 23

INSTRUCCIONES IMPORTANTES DE SEGURIDAD

ADVERTENCIA:

Para reducir el riesgo de incendio, explosión, descarga eléctrica o lesiones personales al usar su lavadora, siga las precauciones básicas de seguridad, entre ellas las siguientes:

1. Lea todas las instrucciones antes de usar el electrodoméstico.
2. Al igual que con cualquier equipo que utiliza electricidad y que tiene piezas móviles, existen ciertos riesgos potenciales. Para usar este electrodoméstico con seguridad, el usuario debe familiarizarse con las instrucciones de funcionamiento del electrodoméstico y ejercer siempre cuidado cuando lo usa.
3. No instale ni almacene este electrodoméstico donde estará expuesto a las inclemencias del tiempo.
4. Instale y nivele la lavadora sobre un piso firme que pueda soportar el peso.
5. Este electrodoméstico debe ser puesto a tierra de manera apropiada. Nunca enchufe el cordón del electrodoméstico en un tomacorriente que no esté debidamente puesto a tierra y de acuerdo con el código nacional y local. Vea las instrucciones de instalación para la puesta a tierra de este electrodoméstico.
6. Para evitar la posibilidad de incendio o explosión:
 - a. No lave artículos que han sido previamente limpiados, lavados, sumergidos o manchados con gasolina, solventes de limpiar en seco u otras sustancias inflamables o explosivas pues pueden emitir vapores inflamables o producir una explosión. Lave a mano y cuelgue en una cuerda de secar cualquier artículo que contenga estas sustancias.
 - b. No agregue gasolina, solventes de lavado en seco ni otras sustancias inflamables o explosivas al agua del lavado. Estas sustancias emiten vapores que pueden encenderse o explotar.
 - c. Bajo ciertas condiciones, se puede producir gas hidrógeno en un sistema de agua caliente que no ha sido usado durante dos semanas o más. **EL GAS HIDROGENO ES EXPLOSIVO.** Si el sistema del agua caliente no ha sido usado durante tal período, antes de usar una lavadora o una combinación de lavadora y secadora, abra todas las llaves del agua caliente y deje que el agua escurra durante varios minutos. Esto eliminará cualquier gas hidrógeno acumulado. Debido a que el gas es inflamable, no fume ni use una llama abierta durante este período.
7. No coloque la mano dentro del electrodoméstico cuando la tina o el agitador estén en movimiento.
8. No permita que los niños o animales domésticos jueguen dentro, delante o en el electrodoméstico. Es necesaria una supervisión estricta cuando el electrodoméstico es usado cerca de los niños o animales domésticos.
9. No altere los controles.
10. No repare ni reemplace ninguna pieza de la lavadora ni intente efectuar ningún servicio a menos haya sido recomendado específicamente en las instrucciones de reparación por el usuario y que usted las comprenda y tenga habilidad para efectuarlas.
11. Desenchufe el cordón de alimentación antes de intentar reparar su lavadora.
12. El agitador no debe ser sacado. Si el agitador se retira, debe ser colocado nuevamente oprimiéndolo hacia abajo completamente y apretando el tornillo de bloqueo antes de que la lavadora sea usada.
13. Guarde los detergentes y otros materiales en un lugar fresco y seco donde los niños no puedan alcanzarlos.
14. No lave ni seque artículos que están sucios con aceite vegetal o de cocinar. Estos artículos pueden contener un poco de aceite después del lavado. Debido a esto, la tela puede ahumarse o encenderse por sí sola.
15. No use blanqueador de cloro ni amoníaco o ácidos (tales como vinagre o desoxidantes) en el mismo lavado. Se pueden formar vapores peligrosos.
16. No lave en la lavadora materiales de fibra de vidrio. Se pueden pegar partículas en las ropas que se vayan a lavar a continuación y causar irritación a la piel.
17. Antes de que la lavadora sea puesta fuera de servicio o descartada, retire la puerta del compartimiento del lavado.
18. Las mangueras de admisión del agua están sujetas a daño y deterioro con el pasar del tiempo. Verifique periódicamente las mangueras para comprobar que no tengan protuberancias, torceduras, cortes, desgaste o escapes y reemplácelas cada cinco años.

CONSERVE ESTAS INSTRUCCIONES

LOS CONTROLES A SIMPLE VISTA

PASO 1 SELECCIONE EL CICLO

Oprima la perilla de control y gire a la derecha al ciclo deseado. Tire de el disco indicador de control hacia afuera para que la lavadora arranque.

NOTA: Todos los tiempos de lavado son aproximados.

COLORS (colores) está diseñado para lavar artículos de colores así como camisas y pantalones de vestir, y poliéster/algodón para reducir el arrugado.

HEAVY (pesado): 21 minutos de tiempo de lavado.

NORMAL: 15 minutos de tiempo de lavado.

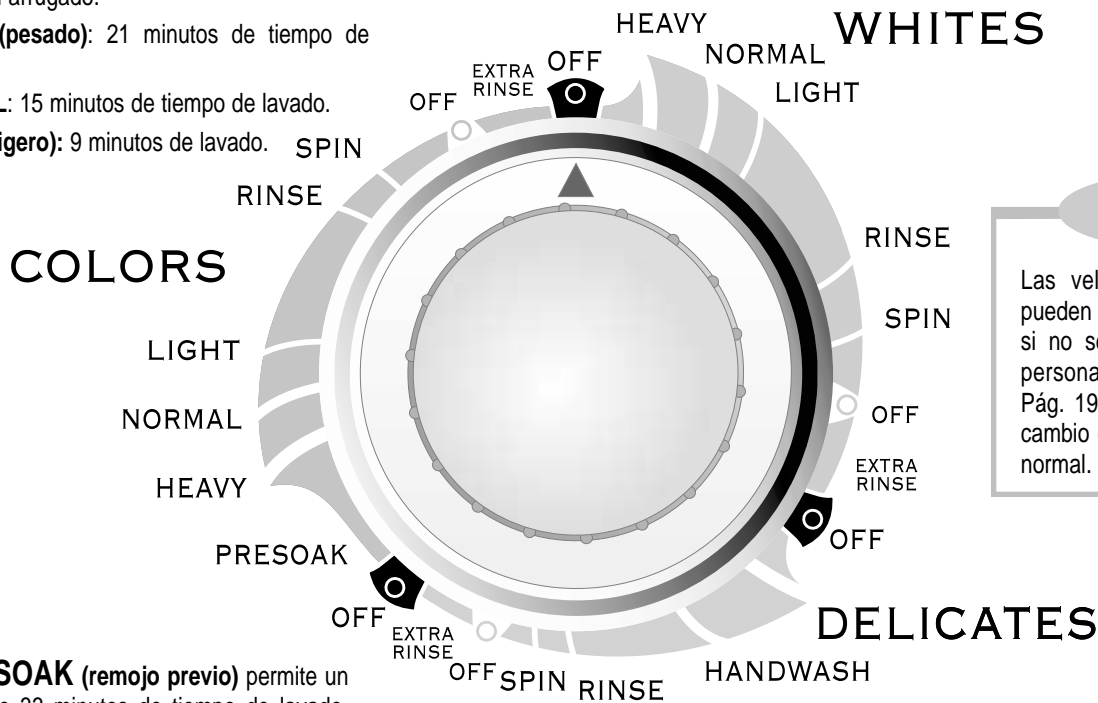
LIGHT (ligero): 9 minutos de lavado.

WHITES (blancos) está diseñado para lavar ropa interior, camisetas y otros artículos resistentes de algodón como toallas, sábanas, pantalones de mezclilla, etc.

HEAVY (pesado): 24-27 minutos de tiempo de lavado.

NORMAL: 15 minutos de tiempo de lavado.

LIGHT (ligero): 9 minutos de tiempo de lavado.



NOTA:

Las velocidades de agitación pueden cambiar durante el ciclo si no se seleccionan opciones personalizadas del ciclo (ver Pág. 19). Usted puede oír este cambio de la velocidad. Esto es normal.

PRESOAK (remojo previo) permite un total de 33 minutos de tiempo de lavado. Los primeros 12 minutos son períodos de agitado y remojo seguidos de 21 minutos de agitado. El remojo previo automáticamente avanza al ciclo de lavado.

DELICATES (delicados) Se utiliza para limpiar artículos que requieren un lavado suave. Esto incluiría blusas y camisas de vestir. Comprende 18 minutos de lavado y limpieza por remojo.

HANDWASH (lavar a mano) Se utiliza para lavar artículos de nilón o ropa interior. Comprende 6 minutos de lavado intermitente y limpieza por remojo.

PASO 2 SELECCIONE EL NIVEL DE AGUA

Mueva la palanca deslizante hacia arriba y hacia abajo hasta el ajuste deseado. Si necesita más agua una vez que el llenado está completo, mueva la palanca hacia arriba para **reset (reajustarlo)** y luego marque el ajuste apropiado.

RECUERDE: Los artículos deben circular con libertad para obtener los mejores resultados.

WATER LEVEL



TAMAÑO DE CARGA

SUPER: (más grande)	de $\frac{3}{4}$ – de la capacidad
LARGE: (grande)	de $\frac{1}{2}$ – $\frac{3}{4}$ de la capacidad
MEDIUM: (media)	de $\frac{1}{3}$ – $\frac{1}{2}$ de la capacidad
MINI (más pequeña)	de $\frac{1}{4}$ de la capacidad

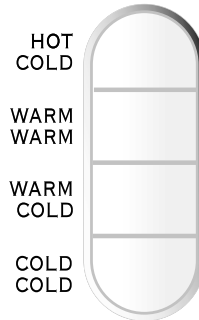
LOS CONTROLES A SIMPLE VISTA CONT.

PASO 3 SELECCIONE DE LA TEMPERATURA

Oprima el botón apropiado para seleccionar las temperaturas de lavado y enjuagado. Siga las instrucciones de la etiqueta de cuidado de la prenda de vestir para obtener mejores resultados. Use la tabla que está ubicada a la derecha como guía. A medida que la lavadora se está llenando, puede haber una mezcla de agua caliente con agua fría para lograr la temperatura apropiada del agua.

RECUERDE: Los detergentes no se disuelven ni lavan bien a temperaturas de agua menores de 65° F (18° C). Las etiquetas de cuidado definen el agua fría a una temperatura hasta de 85° F (29.5° C).

WASH/RINSE



TIPO DE CARGA

HOT/COLD (caliente/fría) – Artículos blancos y muy sucios, que no despinten.

WARM/WARM (tibia/tibia) – Delicados y de colores sólidos

WARM/COLD (tibia/fría) – Los artículos de colores moderadamente sucios; la mayoría de los artículos principalmente artículos inarrugables.

COLD/COLD (fría/fría) – Artículos de colores brillantes, ligeramente sucios; lanas lavables

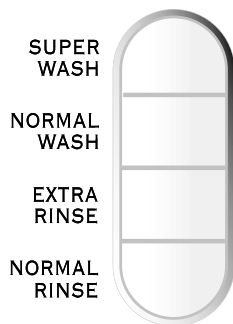
TEMPERATURA

HOT: (caliente)	120° F (50° C)
WARM: (tibia)	85° F (30° C)
COLD: (fría)	Temperatura del agua del grifo

PASO 4 SELECCIONE DE UN CICLO AJUSTADO AL GUSTO

Oprima los botones apropiados para seleccionar una o más opciones.

CUSTOMIZE CYCLE



USO

SUPER WASH (super lavado) – Puede usarse con cualquier ciclo de lavado para lavar artículos demasiado sucios. Proporciona agitación rápida y centrifugado normal a través de todos los ciclos.

NORMAL WASH (lavado normal) – Puede usarse con todos los ciclos de lavado para proveer agitación normal y velocidad de centrifugado normal. Se usa para la mayoría de las cargas de ropas.

EXTRA RINSE (enjuague adicional) – Proporciona un enjuague adicional al final del ciclo para eliminar más completamente los aditivos de lavado, las espumas, los perfumes, etc.

NORMAL RINSE (enjuague normal) – Cancela la segunda aclaración profunda. Proporciona a solamente una aclaración profunda.

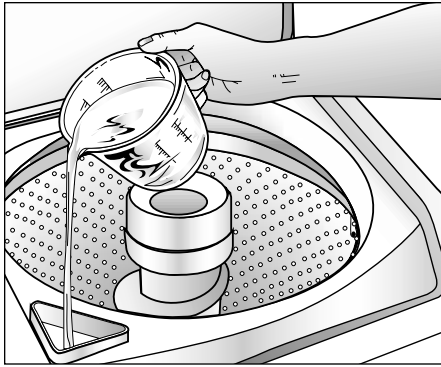
ENERGY SAVING WASH LIGHT- (luz de lavado con ahorro de energía) – La luz de lavado con ahorro de energía se iluminará siempre que no se haya seleccionado **Super Wash** (Super Lavado) o **Extra Rinse** (Enjuague Adicional).



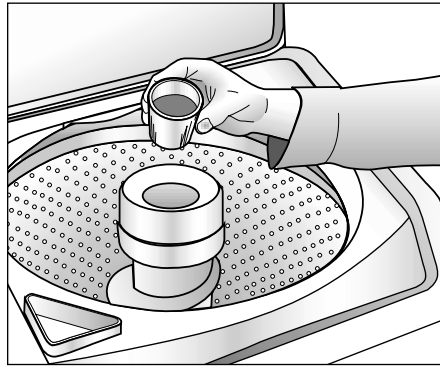
PASO 5 ARRANQUE DE LA LAVADORA

- Agregue el detergente y cualquier aditivo
- Añada la carga y cierre la tapa
- Tire del disco indicador de control para arrancar

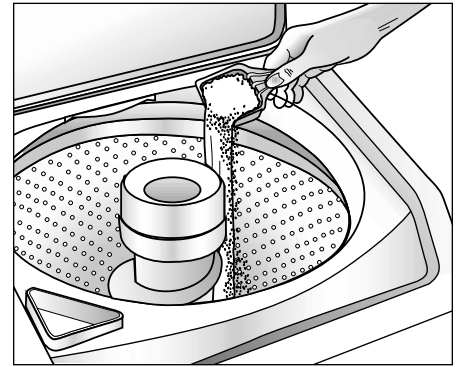
SUGERENCIAS PARA LA OPERACION



Vierta el blanqueador líquido con cloro en el surtidor de blanqueador.



Vierta el suavizante de telas líquido en la taza y dilúyalo con agua tibia.



Asegúrese de añadir el detergente a la lavadora antes de la carga.

SURTIDOR DE BLANQUEADOR

El surtidor diluye automáticamente el blanqueador líquido con cloro antes de llegar a la carga de lavado. Para usarlo, siga estos pasos:

1. Mida cuidadosamente el blanqueador líquido de cloro, siguiendo las instrucciones de la botella.
 2. Añada el blanqueador al surtidor antes de añadir la carga. Evite salpicar o llenar de más el surtidor. Limpie los derrames.
- Nunca vierta blanqueador líquido con cloro sin diluir directamente en la carga o en la tina de lavado. Es una sustancia química poderosa y puede causarle daños a la tela, como rasgaduras o pérdida de color, si no se usa apropiadamente.
 - Si prefiere usar blanqueador sin cloro, que sea seguro para telas de color, viértalo en la tina de lavado con el detergente. NO vierta blanqueadores sin cloro dentro del surtidor.

SURTIDOR DE SUAVIZANTE DE TELAS

Este surtidor automáticamente suelta el suavizante de telas líquido en el momento apropiado durante el ciclo. Para usarlo, siga los pasos a continuación:

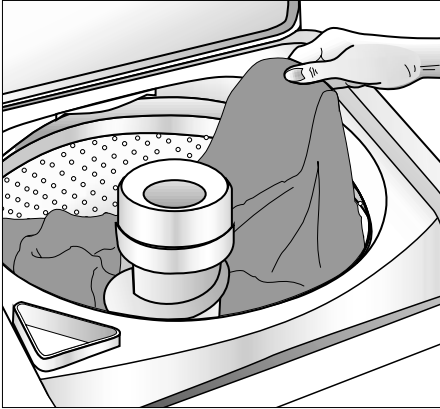
1. Vierta el suavizante de telas líquido en el surtidor usando la cantidad recomendada en el paquete.
 2. Añada agua tibia al surtidor hasta que llegue a la línea MAX line (LÍNEA DE MÁXIMA). Limpie los derrames.
- No detenga la lavadora durante la primera exprimida. Esto hará que se vacíe el surtidor demasiado pronto.
 - Nunca vierta suavizante de telas directamente en la carga. Dejará manchas.
 - Use el surtidor para suavizante de telas líquido solamente. Limpie el área del surtidor y alrededor con frecuencia con agua caliente, detergente y un cepillo suave.

DETERGENTE

- Use detergente de ropa líquido o granulado. **Para obtener los mejores resultados, asegúrese de añadir el detergente a la lavadora ANTES de la carga y asegúrese que el agua de lavado sea mayor de 65° F (18° C).**
 - Use la cantidad correcta de detergente para el tamaño de carga, nivel de suciedad y las condiciones de agua. Use más detergente si tiene agua dura y cargas muy sucias.
- Si tiene agua suave y/o una carga levemente sucia, use menos detergente. (Vea las instrucciones del fabricante).
- Limpie los derrames de detergente en la lavadora.

Consulte la guía *Laundering Tips* (Sugerencias para el lavado de la ropa) si desea ver los procedimientos adecuados para lavar la ropa, quitar manchas y algunas situaciones especiales.

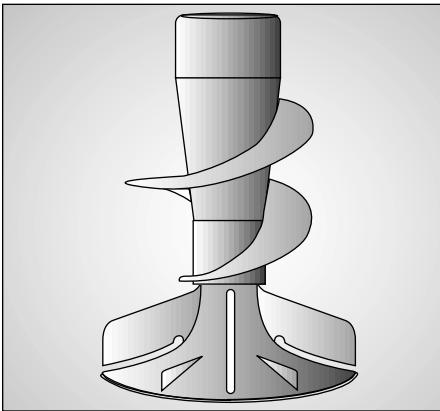
SUGERENCIAS PARA LA OPERACION CONT.



CARGADO

- Coloque las ropas secas, desdobladas y en forma suelta en la tina. No cargue la lavadora más arriba de las dos filas superiores de agujeros.
- No envuelva artículos grandes como sábanas alrededor del agitador.
- Mezcle los artículos grandes y pequeños para una mejor circulación. Lave los artículos bromosos como colchas por separado.

- Cuando lave artículos de planchado permanente o de hechura delicada, lanas lavables o artículos de tela de punto, nunca use menos del ajuste de agua MEDIUM (mediano). Esto reducirá al máximo or minimizará el encogimiento, arrugado y los tirones de las costuras.
- Para obtener los mejores resultados, añada el detergente a la tina de lavado antes de añadir la carga.
- Cierre cuidadosamente la tapa para evitar gotpearla.



EL AGITADOR LOADSENSOR™

El agitador LoadSensor™ ha sido especialmente diseñado para ser sensible a cualquier carga de ropa. Las aletas espirales estarán en continuo movimiento con cargas grandes y pesadas. Con las cargas más pequeñas o más delicadas, las aletas espirales se moverán intermitentemente y con cargas muy livianas, casi no se moverán. Es normal observar una diferencia en el sonido del agitador de una carga a otra.

CUIDADO Y LIMPIEZA

Cierre los grifos de agua después de terminar el lavado del día. Esto cerrará el suministro de agua a la lavadora de ropa y evitará la posibilidad poco probable de daños por escape de agua.

Use un paño suave para limpiar el detergente, blanqueador u otros derrames tan pronto ocurran.

Limpie lo siguiente según se recomienda:

Panel de Control – límpielo con un paño suave, húmedo o con limpiador para vidrio. No use polvos ni almohadillas limpiadoras abrasivas.

Gabinete – límpielo con agua y jabón.

Interior – Se pueden quitar los depósitos de agua dura usando un disolvente/limpiador de agua dura recomendado etiquetado para uso en lavadoras. Siga las instrucciones de uso del fabricante y asegúrese de que la lavadora se haga funcionar durante un ciclo completo para eliminar cualquier resto de la sustancia de limpieza.

ALMACENAMIENTO DE LA LAVADORA

Las lavadoras pueden dañarse si no se les saca el agua de las mangueras y de los componentes internos antes de almacenarla. Prepare la lavadora del modo siguiente para almacenarla:

- Seleccione NORMAL en el ciclo WHITES (blancos) y añada una taza de blanqueador o vinagre blanco a una carga completa de agua sin ropa. (No mezcle el blanqueador y el vinagre en el mismo lavado. Se pueden formar vapores peligrosos.) Permita que la lavadora termine un ciclo completo.
- Cierre los grifos de agua y desconecte las mangueras de entrada.
- Desconecte la lavadora de ropa del suministro eléctrico y deje la puerta de la

lavadora abierta para que el aire circule adentro del tambor.

- Si la lavadora ha estado guardada en temperaturas inferiores al punto de congelación, espere un tiempo hasta que la lavadora vuelva a la temperatura normal antes de usarla.
- Después del almacenamiento, seleccione 'NORMAL' en el ciclo 'WHITES' y haga funcionar la lavadora durante un ciclo completo.

ANTES DE LLAMAR

Para encontrar soluciones a problemas de lavado (por ejemplo: daños, residuos, enganchado de telas) y procedimientos especiales de cuidado de lavado, vea el panfleto que se incluye **Sugerencias para el lavado**.

VERIFIQUE ESTOS PUNTOS SI SU LAVADORA...

SIEMPRE REVISE PRIMERO

- Conecte el cordón en un tomacorriente eléctrico que funcione.
- Revise el fusible o reajuste el cortacircuitos.

NO SE LLENA

- Gire el disco indicador de control al ciclo correcto y tire de la perilla de control para arrancar la lavadora. Si la lavadora tiene botones, asegúrese de que estén completamente oprimidos.
- Abra completamente las dos llaves del agua.
- Enderece las mangueras de entrada.
- Desconecte las mangueras y limpie los filtros. Puede ser que los filtros de las mangueras estén taponados.

NO SE AGITA

- Cierre cuidadosamente la tapa para evitar golpearla.
- Gire el disco de control al ciclo apropiado y tire de él para que la lavadora arranque. Si está equipada con botones, asegúrese que estén completamente oprimidos.
- Cierre la tapa y tire del disco de control para que la lavadora arranque. Por su seguridad, la lavadora no agitará ni exprimirá a menos que la tapa esté cerrada.
- La lavadora está equipada con un detector de falla de interruptor de tapa. Si funciona mal el interruptor de la tapa, el detector parará la operación para su seguridad. Llame para solicitar servicio.
- Las pausas son normales. Espere y vea si la lavadora vuelve a arrancar.

NO EXPRIME NI SE DRENA

- Enderece las mangueras de drenaje. Elimine las mangueras torcidas. Si hay alguna restricción en el drenaje, llame para obtener servicio.
- Cierre la tapa y tire de la perilla de control para arrancar la lavadora. Para su seguridad, la lavadora no agitará ni exprimirá a menos que la tapa esté cerrada.
- La lavadora está equipada con un detector de falla de interruptor de tapa. Si funciona mal el interruptor de la tapa, el detector parará la operación para su seguridad. Llame para solicitar servicio.

- Si la altura del desagüe es de cinco a ocho pies, puede que sea necesario usar un juego de bomba de gran volumen. Consulte las instrucciones de instalación o llame al 1-800-688-9900. Si la altura del desagüe es más de ocho pies (2,4 m), el agua no puede ser extraída aún con el juego de bomba de gran volumen.

LA ROPA ESTÁ MÁS MOJADA QUE DE COSTUMBRE AL FINAL DEL CICLO

- La lavadora ha sido diseñada para reducir la velocidad del centrifugado si se detecta una carga mal distribuida. Esto es normal.
- Vuelva a redistribuir la ropa en la tina y coloque la perilla en centrifugado.

SE DETIENE

- Gire el disco indicador de control al ciclo correcto y tire de la perilla de control para arrancar la lavadora. Si la lavadora tiene botones, asegúrese de que estén completamente oprimidos.
- Cierre la tapa y tire del disco de control para que la lavadora arranque. Por su seguridad, la lavadora no agitará ni exprimirá a menos que la tapa esté cerrada.
- Esto puede ser una pausa o un periodo de remojado en el ciclo. Espere brevemente y tal vez la lavadora arranque.
- La lavadora está equipada con un detector de falla de interruptor de tapa. Si funciona mal el interruptor de la tapa, el detector parará la operación para su seguridad. Llame para solicitar servicio.

FUGAS DE AGUA

- Asegúrese de que las conexiones de la manguera de admisión del agua estén apretadas en la llave y en la válvula del agua.
- Cerciórese de que el extremo de la manguera de drenaje esté correctamente insertada y asegurada al servicio de drenaje.
- Evite el remojado prolongado – remoje durante 30 minutos o menos.
- Evite sobrecargar la lavadora.

HACE RUIDO

- La lavadora debe nivelarse correctamente como se describe en las instrucciones de instalación.
- Los pisos débiles pueden causar vibración y que la lavadora camine.
- Asegúrese de que las bases de hule estén instaladas en las patas niveladoras.

- Un ruido seco puede ser el detector LoadSensor™ del agitador a medida que empuja la ropa hacia abajo hacia la zona de limpieza para una mayor eficacia del lavado. Este sonido será distinto de una carga a otra. Esto es normal.
- Los sonidos del funcionamiento variarán de acuerdo con la velocidad del centrifugado.

SE LLENA CON EL AGUA A LA TEMPERATURA INCORRECTA

- Abra los dos grifos de agua completamente.
- Asegúrese que la selección de temperatura sea correcta.
- Para obtener ahorro de energía, el agua tibia que va llenando la tina es templada.
- A medida que la lavadora se está llenando, puede haber una mezcla de agua caliente con agua fría para lograr la temperatura apropiada del agua.
- Asegúrese que las mangueras estén conectadas al grifo correcto y a las conexiones de entrada correctas. Asegúrese que el suministro de agua esté correctamente regulado. Enjuague la línea de agua antes de llenar la lavadora.
- Revise el calentador de agua. Debe estar ajustado para proporcionar el agua a 120° F (49° C) del grifo. También revise la capacidad y la razón de recuperación del calentador de agua.
- Desconecte las mangueras y limpie las pantallas. Las pantallas del filtro de la manguera podrían estar obstruidas.

LA PERILLA DE CONTROL DE CICLO AVANZA HASTA "OFF" (APAGADO)

- La opción Extra Rinse (enjuagado adicional) está seleccionada.

Si desea recibir más asistencia comuníquese con Maytag Appliances Sales Company, Departamento de Asistencia al Cliente de Maytag:

1-800-688-9900 en EE.UU.;
o 1-800-688-2002 en Canadá

GARANTÍA DE LA LAVADORA DE ROPA

Un año de garantía en partes y mano de obra

Durante **un (1) año** a partir de la fecha original de la compra, cualquier parte que falle durante el uso normal en su hogar se reparará o reemplazará sin costo alguno.

Garantía Limitada

Después del primer año a partir de la fecha de compra original al menudeo, o durante los períodos que se indican a continuación, las piezas designadas que fallen en el uso doméstico normal de la unidad serán reparadas o reemplazadas gratuitamente, y el propietario deberá pagar todos los demás cargos, inclusive mano de obra, millaje y transportación.

Segundo Año – Todas las piezas.

Del Tercero al Quinto Año – El motor impulsor. Todas las piezas de los controles de estado sólidos (si así está equipada).

Del Tercero al Décimo Año – Todas las piezas del conjunto de la transmisión.

Desde el tercer año hasta el fin de la vida útil – La tina interior de lavar.

Garantía Limitada Adicional contra Oxidación

Si el gabinete exterior, incluyendo la cubierta, la tapa y el bastidor se oxidan durante el primer año a partir de la fecha de compra al por menor, se repararán o reemplazarán gratuitamente. Después del primer año y hasta el décimo año, la reparación y el reemplazo serán efectuados gratuitamente en lo que respecta a las piezas mismas y el propietario deberá pagar todos los otros costos, incluyendo mano de obra, kilometraje y transporte.

Se Ruega Nota: La garantía total y la garantía limitada aplican cuando el electrodoméstico se encuentre en Estados Unidos o en Canadá. Los electrodomésticos que se encuentren en otro lugar solamente están cubiertos por la garantía limitada, inclusive las piezas que fallen durante el primer dos años.

Residentes de Canadá

Las garantías antes mencionadas sólo cubren los electrodomésticos instalados en Canadá certificados o listados por las agencias de pruebas apropiadas para cumplir con el National Standard of Canada (Norma Nacional de Canadá), a menos que el electrodoméstico se lleve a Canadá debido a un cambio de residencia desde los Estados Unidos hacia Canadá.

Las garantías específicas expresadas anteriormente son las ÚNICAS garantías que ofrece el fabricante. Estas garantías le otorgan derechos legales específicos y puede también tener otros derechos los cuales varían entre estados.

PARA OBTENER EL SERVICIO DE GARANTIA

Para ubicar un centro de servicio autorizado en su área, comuníquese con el distribuidor Maytag con el cual compró el electrodoméstico; o llame al Departamento de Asistencia al Cliente de Maytag Appliances Sales Company. Si no recibe un servicio de garantía satisfactorio, por favor llame o escriba a:

Maytag Appliances Sales Company

Attn: CAIR® Center

P.O. Box 2370

Cleveland, TN 37320-2370

1-800-688-9900 EE.UU.

1-800-688-2002 CANADÁ

Cuando se comunique con el Departamento de Asistencia al Cliente de Maytag Appliances Sales Company con relación a un problema de servicio, por favor incluya la siguiente información:

- a. Su nombre, domicilio y número de teléfono;
- b. Número de Modelo y Número de Serie (situados en la parte trasera izquierda del panel de control) de su electrodoméstico;
- c. El nombre y la dirección de su distribuidor y la fecha de compra del electrodoméstico;
- d. Una descripción clara del problema que experimenta;
- e. Un comprobante de compra.

ÉSTAS GARANTÍAS NO CUBREN LO SIGUIENTE:

1. Condiciones y daños resultantes de cualquiera de las siguientes condiciones:
 - a. Instalación, entrega o mantenimiento inadecuados.
 - b. Cualquier reparación, modificación, alteración o ajuste no autorizado por el fabricante o por un técnico de servicio autorizado.
 - c. Uso inadecuado, abuso, accidentes o uso irrazonable.
 - d. Corriente, voltaje o suministro eléctrico incorrecto.
 - e. Ajuste incorrecto de uno de los controles.
2. Las garantías se anularán si los números de serie originales se quitan, alteran o no se pueden determinar fácilmente.
3. Productos comprados para uso comercial o industrial.
4. El costo del servicio o de las llamadas de servicio para:
 - a. Corregir errores de instalación.
 - b. Instruir al usuario sobre el uso correcto del producto.
 - c. Transportar el electrodoméstico al centro de servicio.
5. Daños resultantes o incidentales sufridos por una persona como resultado de la violación de alguna de estas garantías.

Algunos estados no permiten la exclusión ni la limitación de daños resultantes ni incidentales, de manera que es posible que no aplique la exclusión anterior.

Las guías del usuario, los manuales de servicio y los catálogos de piezas están disponibles en el Departamento de Asistencia al Cliente de Maytag Appliances Sales Company.